

UPS3



TM07 0386 1518

Product description

UPS3 is a circulator pump designed to be used in domestic heating systems with either variable or constant flow rate. The pump automatically controls the differential pressure by adjusting the pump performance to the actual heating demand without the use of external components.

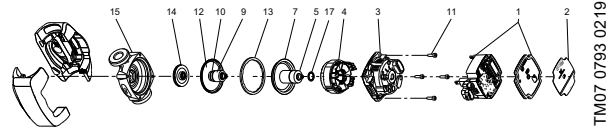
Features

- Three constant curves/constant speed curves.
- Two proportional-pressure curves.
- Two constant-pressure curves.
- Speed control via a low-voltage PWM (Pulse Width Modulation) signal profile A (heating). The PWM signal is a method for generating an analog signal using a digital source.
- Low EEI (Energy Efficiency Index).
- Deblocking device.
- Alarm and warning indication
- Low noise level.
- Very simple installation.

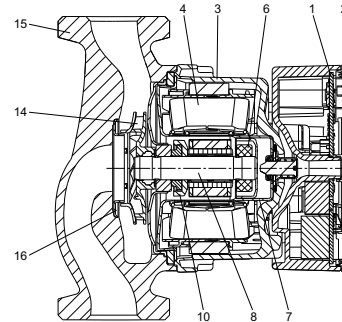
Technical data

| Operating conditions and electrical data | | |
|--|--|----------------------------|
| Ambient temperature | 0-55 °C | |
| Liquid temperature | 2-95 °C | |
| System pressure | PN 10: Maximum 1.0 MPa (10 bar) | |
| Relative humidity | Maximum 95 % | |
| | Liquid temperature | Min. inlet pressure |
| Inlet pressure | 75 °C | 0.005 MPa, 0.05 bar |
| | 95 °C | 0.05 MPa, 0.5 bar |
| Supply voltage | 1 x 230 V - 15 %/+ 10 %, 50/60 Hz, PE | |
| Insulation class | F | |
| Miscellaneous data | | |
| Motor protection | The pump requires no external motor protection. | |
| Temperature class | TF95 | |
| Enclosure class | IPX4D | |
| Specific EEI | ≤ 0.20 | |
| Sound pressure level | The sound pressure level of the pump is lower than 32 dB(A). | |

Material specification



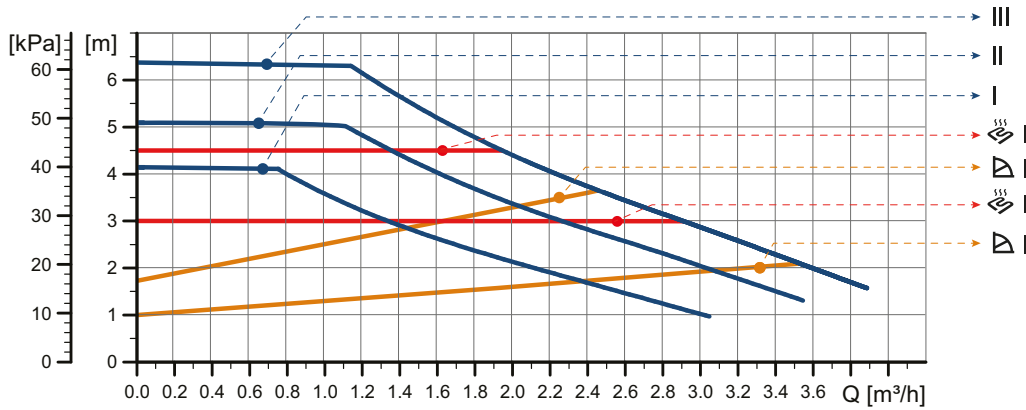
TM07 0793 0219



TM07 0794 1918

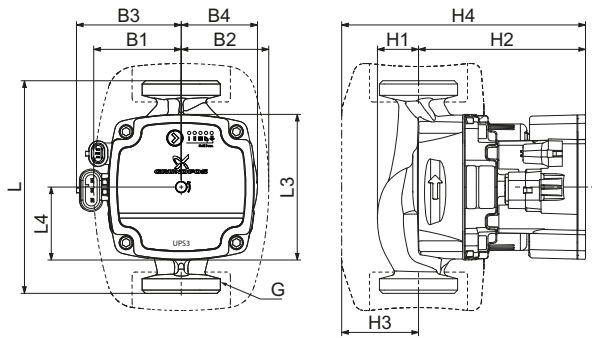
| Pos. | Component | Material | EN/DIN |
|------|-------------------------|-------------------------|-------------------|
| 1 | Control box | Composite PC-GF10 FR | |
| | Control electronics | PCB with SMD components | |
| 2 | Front foil | LEXAN 8A13F | |
| 3 | Stator housing | Aluminium, silumin | |
| 4 | Stator | Copper wire | |
| | Stator lamination | Laminated iron | |
| 5 | Push deblocking device | | |
| | Plunger | Stainless steel | 1.4404 |
| | Spring | Stainless steel | 1.4310 |
| | Housing for spring | Stainless steel | 1.4401 |
| | Guide disc | Stainless steel | 1.4401 |
| 6 | Housing for sealing | Stainless steel | 1.4401 |
| | Sealing | EPDM | |
| 6 | Radial bearing | Ceramics | |
| 7 | Rotor can | Stainless steel | 1.4401 |
| 8 | Shaft | Ceramics | |
| 9 | Rotor | | |
| | Rotor tube | Stainless steel | 1.4521 |
| | Rotor cladding | Stainless steel | 1.4401/ 1.4301 |
| | Bush | Stainless steel | 1.4301 |
| | Thrust bearing | Carbon | |
| 10 | Thrust bearing retainer | EPDM | |
| 11 | Screws | Steel | |
| 12 | Bearing plate | Stainless steel | 1.4301 |
| 13 | Gasket | EPDM | |
| 14 | Impeller | Composite/PES 30 % GF | |
| 15 | Pump housing | Cast iron GG15 | EN-GJL-150 |
| 16 | Neck ring | Stainless steel | 1.4301 |
| 17 | O-ring | EPDM | |

Performance curve



TM07 15 19 1618

Dimensions



TM07 0792 1518

| Pump type | Dimensions [mm] | | | | | | | | | | | |
|---------------|-----------------|----|----|----|----|----|----|----|-----|----|-----|---------|
| | L1 | L3 | L4 | B1 | B2 | B3 | B4 | H1 | H2 | H3 | H4 | G |
| UPS3 15-50/65 | 130 | 89 | 45 | 54 | 54 | 64 | 47 | 25 | 102 | 47 | 149 | G 1 1/2 |

Pump product number

| Product type | Product number |
|---------------|----------------|
| UPS3 15-50/65 | 99199622 |

Insulating shells

The insulating shells can be ordered as accessories.

| Pump type | Product number |
|---------------|----------------|
| UPS3 15-50/65 | 99270706 |

Cables

| | Length [mm] | Product number |
|---|-------------|----------------|
| Mini superseal signal cable (PWM input signal) | 2000 | 99165309 |
| Superseal power cable | 2000 | 99198990 |
| Power cable adapter: Superseal Molex cable adapter, overmoulded | 150 | 99165311 |
| Power cable adapter: Superseal Volex cable adapter, overmoulded | 150 | 99165312 |

Union and valve kits

| | | Product numbers | | | | | |
|---------------|------------|---------------------------------|----------|----------|---------------------------------|-----------|--|
| | | Union nut with internal threads | | | Union nut with external threads | | |
| UPS3 | Connection | | | | | | |
| | | 3/4 | 1 | 1 1/4 | 1 | 1 1/4 | |
| 15-xx G 1 1/2 | | 99888844 | 99672022 | 99888852 | 998888847 | 998888849 | |

The product number for the standard sizes is printed in bold.

UPS3 is only available in UK.

| |
|-------------------------|
| 99424000 12.2020 |
| ECM: 1303120 |