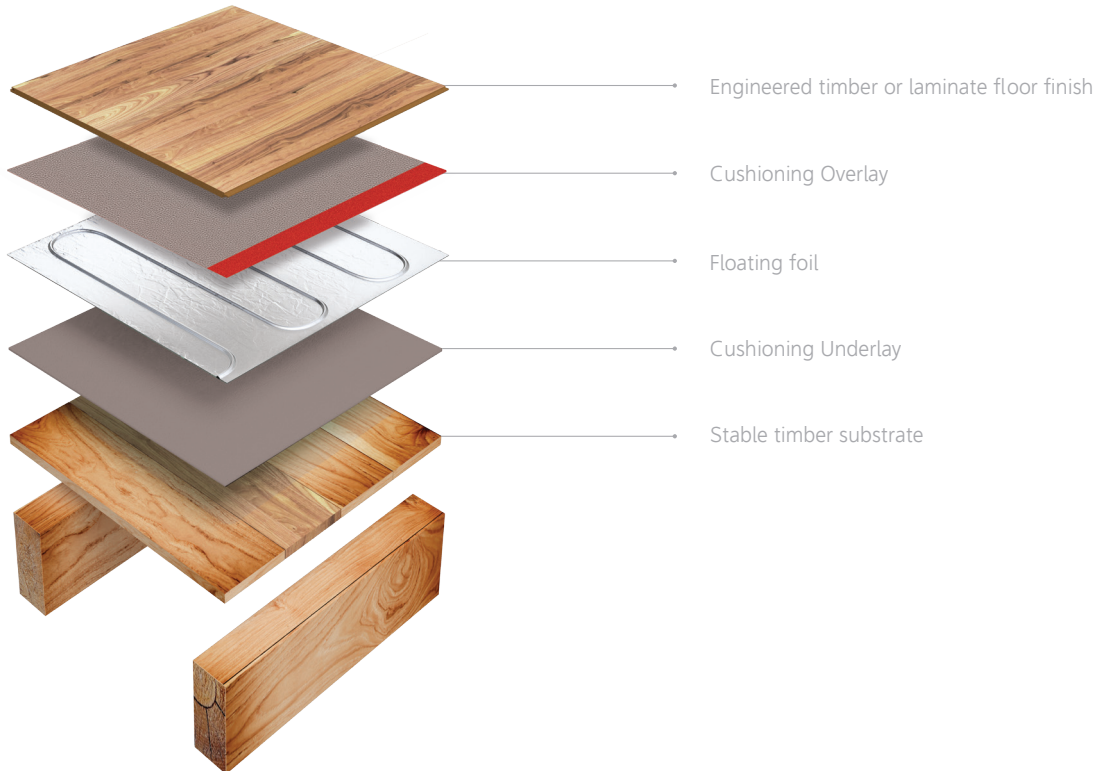


thermo Sphere

HEATING | FLOOR | WOOD CARPET VINYL

Our recommended solution for engineered timber and laminate floors



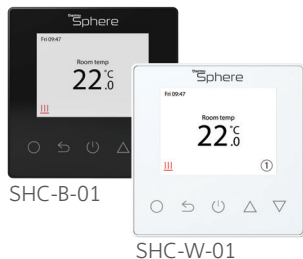
LIFETIME
WARRANTY

ThermoSphere heating solutions are covered by our lifetime warranty when you register your system online.

Product Overview

ThermoSphere foil, underlay and overlay solution

The double layer of foil and easily accessible cable loops make ThermoSphere foil the most advanced electric heating foil available today. The innovative exposed cable loops and continuous earth protection ensure an easy installation and total safety.



Compatible with ThermoSphere
SmartHome Control



Efficient heat exchange foil

The double layer of foil is specifically designed to protect the heating element and achieve an even spread of heat to the floor finish above.



Easy cut and return installation

Accessible cable loops simplify cut and return installation and provide abrasion protection for the heat element after installation is complete.



Continuous earth protection braid

Fully earthed, the entire length of the cable. You can even install it in bathrooms!



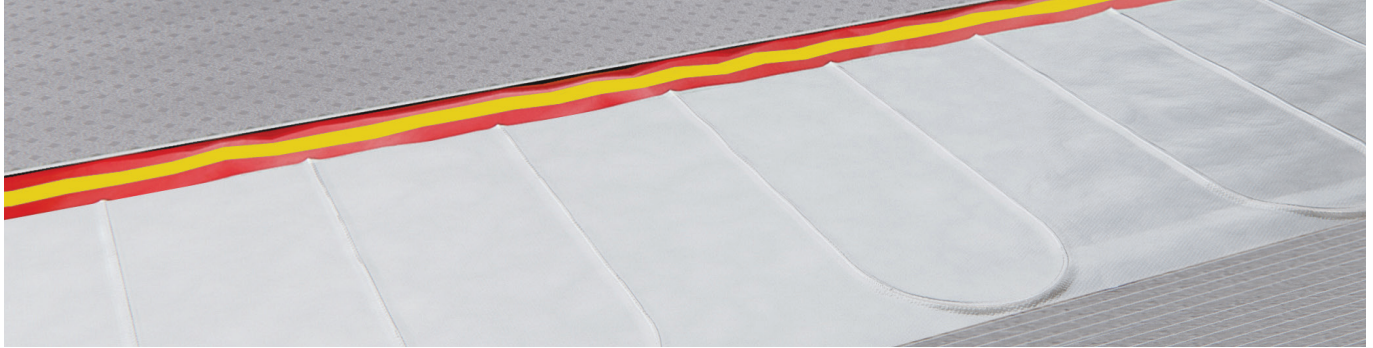
Low profile cold tail

An extra malleable, low profile cold tail makes installing foil easy. The cold tail is only 4mm thick and can be concealed within the insulation.

0800 019 5899
hello@thermosphere.com
www.thermosphere.com

ThermoSphere is a trading name of Thermogroup Ltd.

Excellence in heating solutions.



Technical Data

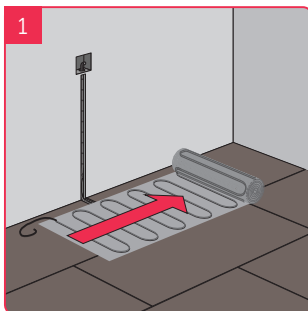


Width	500mm
Heated width	450mm
Max. thickness	1.5mm
Max. temperature*	29°C
Cable fixing	Concealed in foil
Cable loops	Exposed

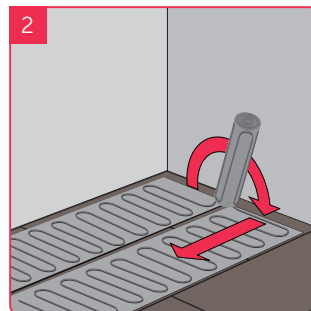
*Regulated by floor sensing thermostat

Installation overview

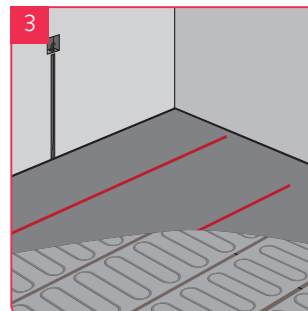
ThermoSphere foil is quick and easy to install. This overview gives a quick guide to the basics, but always read the instructions in full before attempting your own installation.



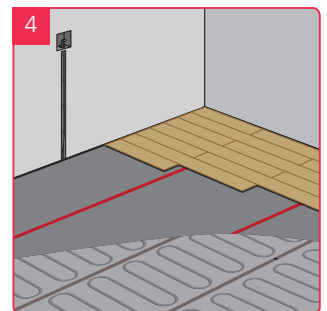
1
Install underlay board
Lay cushioning underlay to protect foil from abrasion



2
Roll out heating foil
Roll out the foil using the cut and return technique



3
Install overlay system
Cover the heating foil with a layer of cushioning overlay



4
Install floor finish
Lay your floor finish in accordance with the manufacturers instructions

Always check with your floor finish manufacturer for suitability of use with floor heating and maximum temperature guidelines.



This is an illustrative guide only. Read the instruction manual that is supplied with every ThermoSphere system, in full, before attempting to install a heating system. Search "ThermoSphere" on Youtube and watch the videos.

0800 019 5899

hello@thermosphere.com

www.thermosphere.com

ThermoSphere is a trading name of Thermgroup Ltd.

Excellence in heating solutions.

ThermoSphere foil 140W/m²

Bring the luxury and simplicity of an electric heating system to wood, carpet and vinyl floor finishes, with minimal height build up and installer friendly components.

Stock Code	Size (m)	Area (m ²)	Output (W)	Resistance (Ω)
WCVF-140-0100	2 x 0.5	1.0	140	337.9
WCVF-140-0150	3 x 0.5	1.5	210	251.9
WCVF-140-0200	4 x 0.5	2.0	280	188.9
WCVF-140-0250	5 x 0.5	2.5	350	151.1
WCVF-140-0300	6 x 0.5	3.0	420	126.0
WCVF-140-0400	8 x 0.5	4.0	560	94.5
WCVF-140-0500	10 x 0.5	5.0	700	75.6
WCVF-140-0600	12 x 0.5	6.0	840	63.0
WCVF-140-0700	14 x 0.5	7.0	980	53.9
WCVF-140-0800	16 x 0.5	8.0	1120	47.2
WCVF-140-0900	18 x 0.5	9.0	1260	41.9
WCVF-140-1000	20 x 0.5	10.0	1400	37.8
WCVF-140-1200	24 x 0.5	12.0	1680	31.5

Compulsory accessories for every installation

Stock Code	Description	Size	Unit
WCVF-CUSHU	Heating Foil Cushioning Underlay	1200 x 500 x 5mm	(6m ²) pk 10
WCVF-CUSHO	Heating Foil Cushioning Overlay	15m x 1m	Roll

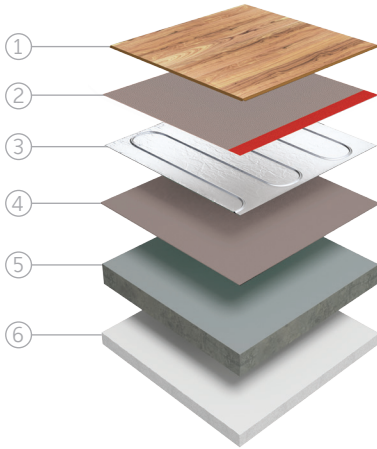
Optional installation accessories

Stock Code	Description	Size	Unit
WCVF-HDFO	Heating Foil HDF Overlay Board	1200 x 600 x 7mm	(2.88m ²) 4 pair
WCVF-CBHO	Heating Foil Cement Overlay Board	1200 x 600mm	(0.72m ²) pair
FT-050	Fixing Tape	50mm x 50m	Roll
GHC-ATP-01	Aluminium Tape	50mm x 50m	Roll

Other compatible floor build up solutions

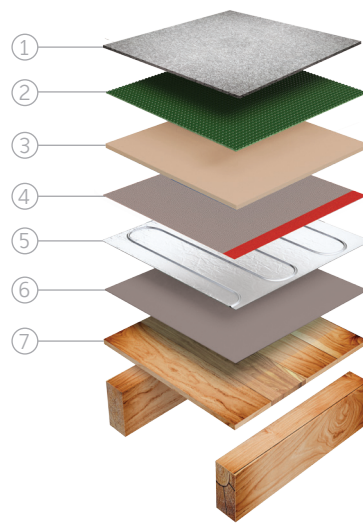
ThermoSphere foil is a versatile system that can be used in many different floor configurations. The most common floor builds up are shown here but please call us if your requirements need special consideration.

Engineered timber finish on an insulated screed, floating floor



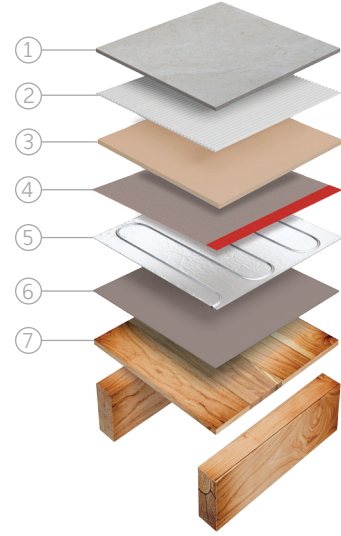
- ① Laminate floor finish
- ② Cushioning overlay
- ③ Heating foil
- ④ Cushioning underlay
- ⑤ Concrete substrate
- ⑥ Substrate insulation

Low tog carpet and underlay finish, floating floor



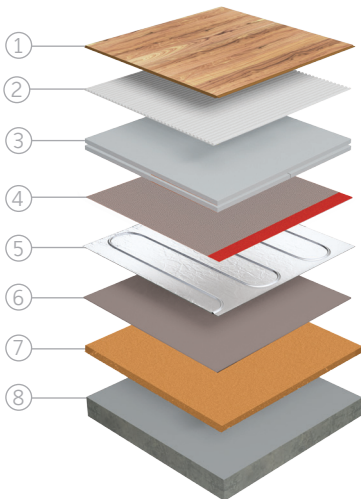
- ① Carpet floor finish
- ② Low tog underlay
- ③ HDF overlay
- ④ Cushioning overlay
- ⑤ Heating foil
- ⑥ Cushioning underlay
- ⑦ Stable timber substrate

Vinyl bonded floor tiles, floating floor



- ① Vinyl tiles
- ② Acrylic adhesive
- ③ HDF Overlay
- ④ Cushioning overlay
- ⑤ Heating foil
- ⑥ Cushioning underlay
- ⑦ Stable timber substrate

Bonded timber finish and acoustic layer, floating floor



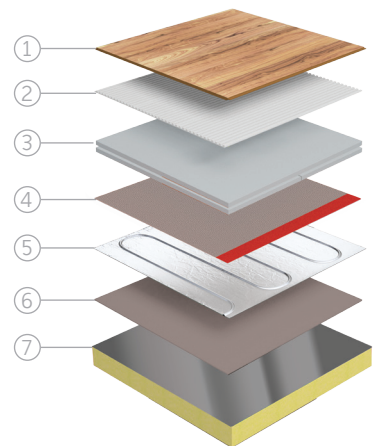
- ① Laminate floor finish
- ② Acrylic adhesive
- ③ Cement board overlay
- ④ Cushioning overlay
- ⑤ Heating foil
- ⑥ Cushioning underlay
- ⑦ Econoboard 21dB
- ⑧ Concrete substrate

Fully bonded engineered timber solution



- ① Timber floor finish
- ② Acrylic adhesive
- ③ Heating foil
- ④ Acrylic adhesive
- ⑤ Cushioning underlay
- ⑥ Acrylic adhesive
- ⑦ Stable timber substrate

Bonded engineered timber on foil faced insulation



- ① Laminate floor finish
- ② Acrylic adhesive
- ③ Cement board overlay
- ④ Cushioning overlay
- ⑤ Heating foil
- ⑥ Cushioning underlay
- ⑦ Foil faced insulation

0800 019 5899
hello@thermosphere.com
www.thermosphere.com

ThermoSphere is a trading name of Thermogroup Ltd.

Excellence in heating solutions.